

Revelation ES Series Specifications

(For specific ES26, ES33, ES34, ES36, ES44, ES46 and ESCST Series details, see page 2)

Revelation ES Series are designed to fit in standard 15/16" or 24mm grid systems or similar hard ceiling finished openings and can be joined together in a variety of configurations.

Drop Ceiling Applications:

EcoSlim light box with attached Luminous SkyTile sits on, and is clipped to, Revelation Elevator

Hard Ceiling Applications:

EcoSlim light box with attached Luminous SkyTile sits on Revelation Elevator

For drop ceiling and hard ceiling application details, see page 2.

1 Lighting (EcoSlim LED edge lit light box):

Color temperature: 6500K

Strict LED binning standards assure consistent & high quality illumination

State of the art edgelit technologies provide uniform illumination

for the Luminous SkyTile graphic

Housed in a white powder-coated, extruded (non-ferrous) aluminum frame

Moisture and chemical resistant

Each unit has a four knock-out junction box

Compatible with MRI and other RF-free environments

2 Luminous SkyTile (lens):

Acrylic, Acrylite, or polycarbonate substrate

Durable and easy to clean non-glare matte finish

High resolution reproduction from proprietary digital image file

Color-calibrated for daylight quality light source

Fade resistant pigmented inks containing UV inhibitors

3 Revelation Elevator (frame):

Durable, moisture resistant and easy to clean

Quick and easy installation

Light weight powder-coated aluminum, white matte finish to match standard grid

2.75" (7cm) vertical profile

Compatible with standard 15/16" or 24mm grid systems or hard ceilings

Precision machined corners, seamless architectural appearance

UL, CSA, and CE compliant:

ES26, ES33, ES34, ES36, ES44, ES46 and ESCST Series when used with 24PS HLG Power System, UL/CSA Listed or CE Compliant power supply fully certified by Intertek Group plc

Electrical:

24V DC

For amperages and watts of specific fixtures, see page 2

Sky Factory 24PS HLG Power System

Converts 90-305V AC to 24V DC

Size and quantity per installation calculated by Sky Factory

Power system aluminum enclosure

Mounted on baseplate with junction box on input and output ends

See 24PS HLG Power System Technical Specifications sheet

Sky Factory provided HLG dimmable power supply (International Only)

Converts 90-305V, 47-63 Hz to 24V DC

Client provided UL/CSA Listed or CE Compliant power supply

Must convert V AC to 24V DC

Items not provided:

AC wiring between fuse/breaker panel and 24V DC power system

DC wiring between 24V DC power system and EcoSlim light box

Dimmer wiring between 24V DC power system and switch/dimmer control box

RFI/EMI filters for MRI installations

See Revelation w/ EcoSlim Installation Instructions; and,

Revelation w/ EcoSlim Electrical Packet (24PS HLG),

Electrical Instructions (HLG) or Electrical Instructions (Fixture Only)

Ceiling Clearance:

Fixture height from ceiling grid 6.25" (15.9cm)

Recommended minimum space above ceiling grid 8.63" (21.9cm)

Recommended minimum space above soffit 10.25" (26.1cm)

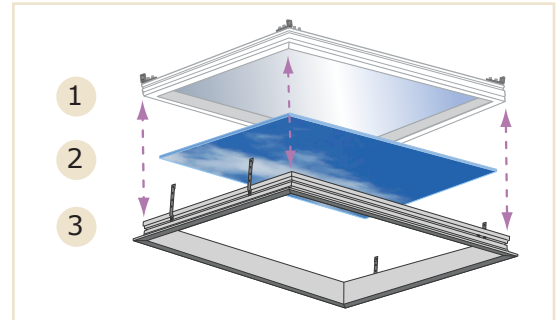
Ceiling height of no less than 9' (2.74m) recommended

For help with space constraints, please contact the Sky Factory.

Revelation ES Series

Recessed Ceiling Mount

Back Illuminated Sky Image Ceiling



Key Attributes:

15/16" (24mm) ceiling grid or

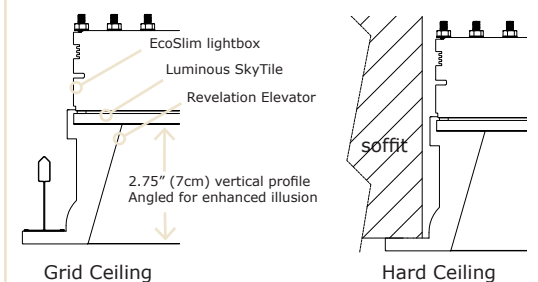
hard ceiling applications

6500 Kelvin – cool daylight

Non-ferrous, RF-free construction

MRI compatible

Cross Section Details



Weight:

For installed weight of fully assembled Revelation ES Series fixture, see page 2.

Configurations:

Revelation ES Series fixtures can be grouped together in a wide variety of configurations.

Installation:

Elevators, tiles and light box easily installed into standard 15/16" or 24mm grid systems and can be recessed into a variety of hard ceilings.

US Patent Information:

Our products, systems, and methods may be protected by one or more of the following US Patents: Pat. 9,164,011, Pat. 8,851,700, Pat. 7,959,316, and Pat. 7,481,550, as well as other patents pending.

Luminous SkyCeilings Revelation EcoSlim LED



CONFORMS TO:
ANSI/UL STD 2108
CERTIFIED TO:
CAN/CSA STD C22.2 No. 250.0



Model	Amps [A]	Power [W]	Weight	Drop Ceiling Application
ES26-RVN Series	2.38	57.12		
ES26			55.4 lbs	Fits in standard 2' x 6' on center, 15/16" grid system
ES26m			24.5 kg	Fits in standard 60cm x 180cm on center, 25mm grid system
ES26g			26.1 kg	Fits in standard 62.5cm x 187.5cm on center, 25mm grid system
ES33-RVN Series	1.78	42.72		
ES33			43.2 lbs	Fits in standard 3' x 3' on center, 15/16" grid system
ESm			20.1 kg	Fits in standard 90cm x 90cm on center, 25mm grid system
ESg			20.4 kg	Fits in standard 93.75cm x 93.75cm on center, 25mm grid system
ES34-RVN Series	2.19	52.56		
ES34			53.9 lbs	Fits in standard 3' x 4' on center, 15/16" grid system
ESm			23.9 kg	Fits in standard 90cm x 120cm on center, 25mm grid system
ESg			25.4 kg	Fits in standard 93.75cm x 125cm on center, 25mm grid system
ES36-RVN Series	2.73	65.52		
ES36			80.3 lbs	Fits in standard 3' x 6' on center, 15/16" grid system
ESm			35.5 kg	Fits in standard 90cm x 180cm on center, 25mm grid system
ESg			37.8 kg	Fits in standard 93.75cm x 187.5cm on center, 25mm grid system
ES44-RVN Series	2.46	59.04		
ES44			70.9 lbs	Fits in standard 4' x 4' on center, 15/16" grid system
ESm			31.4 kg	Fits in standard 120cm x 120cm on center, 25mm grid system
ESg			33.4 kg	Fits in standard 125cm x 125cm on center, 25mm grid system
ES46-RVN Series	3.08	73.92		
ES46			95.5 lbs	Fits in standard 4' x 6' on center, 15/16" grid system
ESm			42.3 kg	Fits in standard 120cm x 180cm on center, 25mm grid system
ESg			45.0 kg	Fits in standard 125cm x 187.5cm on center, 25mm grid system
				Hard Ceiling Application
				ESXX-RVN Series fixtures fit in a variety of hard ceiling applications
				Contact Sky Factory for specific finished opening dimensions